



Valves

Handling the world's dry bulk solids®



VORTEX® 3-SEAL TITE™ DIVERTER

The Vortex® 3-Way Seal Tite™ Diverter has received numerous industry awards for design and handles a wide-range of dry solids. Whether it has to seal fine powders like carbon black or divert glass bottles for a recycling center, the Vortex® 3-Way Seal Tite™ is an excellent problem-solver in gravity flow conveying. The valve's superior design promotes efficiency, durability, and long service life.

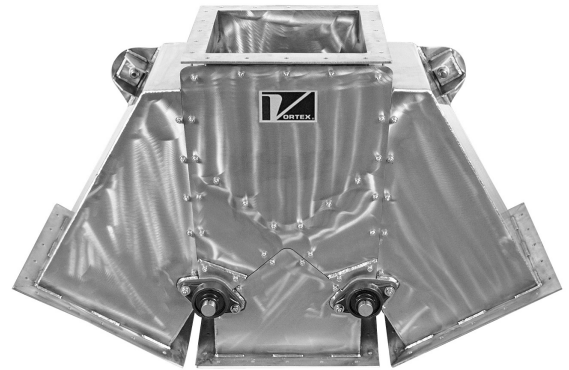
Vortex® Seal Tite™ Diverter Features

- Low Cost Operation
- Positive Seal of Dust and Fine Powders
- Seals Protected from Abrasion
- Access Door for Internal Inspection or Cleaning
- Easy Installation and Maintenance



Valve Specifications

Size/Bore Options	100mm, 150mm, 200mm, 250mm, 300mm, 350mm 400mm Diameter, Square, or Rectangular
Media	Powder, Pellets, Granulars
Connection Options	Compression Coupling, ANSI, DIN, JIS, Custom Flanges
Media Temperature	Modifications are made allowing up to 200°C continuous to 230° C intermittent service.
Media Pressure	0 MPa, Gravity Flow Only
Metal Construction Options	304 or 316L Stainless Steel, Aluminum, and/or Carbon Steel
Seal/Seat Material Options	Nylon, PET, UHMW, Glass Filled Teflon, Rubber, Kryptane, and/or Silicon
Drive/Actuation Options	Double Acting Air Cylinder with Solenoid Operated Air Control Valve, Electric Actuator, or Hand Lever.
Position Detection	Magnetic Reed Switch or Proximity Switch
Compliance/Approvals	CE, FDA
Industry Use	Plastics, Petrochemicals, Chemicals, Foods, Minerals, Textiles, Agriculture



Application Specific Modifications

S	Material / metal contact is 316L stainless steel.
MG	Air cylinder has a magnetic ring which activates a magnetic reed position indicating switch
HT3	Modifications are made allowing up to 120°C continuous to 150° C intermittent service.
HT4	Modifications are made allowing up to 200°C continuous to 230° C intermittent service.
CIP	A special access panel and fasteners that allow for quicker access to the interior of the valve for inspection, cleaning or sanitation.
RT	Round transitions with SVC bolthole pattern are mounted to the inlet and two outlets of the valve.
RTP	Round transitions with ANSI, DIN, or JIS bolt hole pattern are mounted to the inlet and two outlets of the valve.
45 / 30	The angle the outlets are offset (45 or 30) degrees,
KS	Kryptane blade seal for more abrasive materials.

Additional Diverters Offered By Vortex



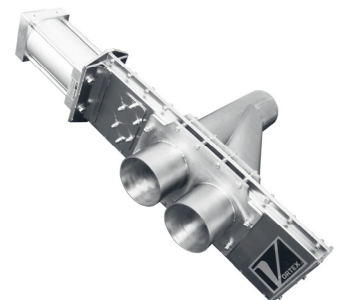
Gravity Vee™ Diverters



Abrasive Duty Diverters™



Straight Line Seal Tite™ Diverters



Wye Line™ Diverters

For more information, please visit our website at www.vortexvalveseurope.com