



# Valves

Handling the world's dry bulk solids®

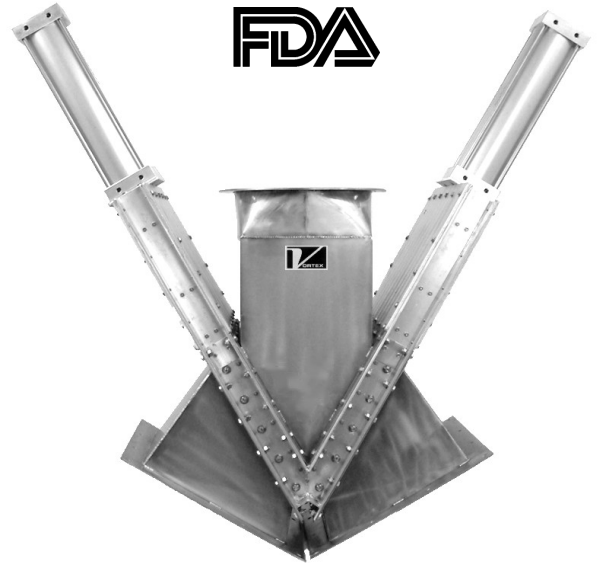


## VORTEX® GRAVITY VEE™ DIVERTER

The Vortex® Gravity Vee Diverter™ is designed for diversity when diverting the flow of dry bulk solids in a gravity flow conveying system. The design allows for material flow through both outlets simultaneously, one outlet at a time, or a complete shut-off of flow. The Gravity Vee Diverter™ is also capable of metering flow in both or either direction.

### Vortex® Gravity Vee™ Diverter Features

- Low Cost Operation
- Positive Seal of Dust and Fine Powders
- Seals Protected from Abrasion
- Material Metering Capabilities
- Easy Installation and Maintenance



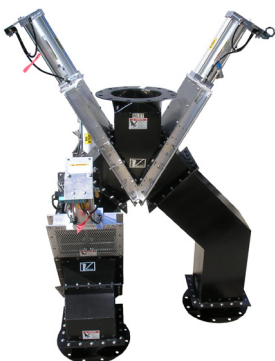
### Valve Specifications

Size/Bore Options	100mm, 150mm, 200mm, 250mm, 300mm, 350mm 400mm Diameter, Square, or Rectangular
Media	Powder, Pellets, Granulars
Connection Options	Compression Coupling, ANSI, DIN, JIS, Custom Flanges
Media Temperature	Modifications are made allowing up to 120°C continuous to 150° C intermittent service.
Media Pressure	0 MPa, Gravity Flow Only
Metal Construction Options	304 or 316L Stainless Steel, Aluminum, and/or Carbon Steel
Seal/Seat Material Options	Nylon, PET, UHMW, Glass Filled Teflon, Rubber, and/or Silicon
Drive/Actuation Options	Double Acting Air Cylinder with Solenoid Operated Air Control Valve, Electric Actuator, or Hand Wheel.
Position Detection	Magnetic Reed Switch or Proximity Switch
Compliance/Approvals	CE, ATEX, FDA
Industry Use	Plastics, Petrochemicals, Chemicals, Foods, Minerals, Textiles, Agriculture

### Application Specific Modifications

S	Material / metal contact is 316L stainless steel.
MG	Air cylinder has a magnetic ring which activates a magnetic reed position indicating switch
WS	Gate blade is electro-polished. Polyethylene (PET or UHMW) pressure plate seals are used to replace nylon.
HT3	Modifications are made allowing 120° C continuous to 150° C intermittent service.
HT4	Modifications are made allowing 200° C continuous to 230° C intermittent service.
HS	Hardened steel rollers replace standard nylon rollers and bonnet seal protector is installed.
SB	Bonnet is manufactured with solid, gasket covers. (Allows the valve to accept air purge.)
AD	Modifications are made to handle medium abrasive products. Includes flow deflector and 5mm 304 stainless steel blade.

### Additional Diverters Offered By Vortex



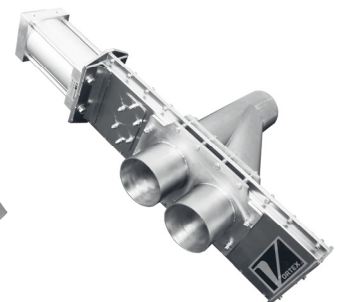
Engineered Gravity Vee™ Diverters



Abrasive Duty Diverters™



Straight Line Seal Tite™ Diverters



Wye Line™ Diverters

For more information, please visit our website at [www.vortexvalveseurope.com](http://www.vortexvalveseurope.com)