



Valves

Handling the world's dry bulk solids®



VORTEX® DUAL CYLINDER ROLLER GATE™

The Vortex® Dual Cylinder Roller Gate™ offers quality features at an economical price. This gate is your best choice for handling dry material in gravity flow applications where positive material shut-off and dust tight sealing are required in compact locations. The Vortex® Dual Cylinder Roller Gate™ is available in a wide variety of configurations, including rectangular sizes and round inlet/outlet transitions.

Vortex® Dual Cylinder Roller Gate™ Features

- Low Cost Operation
- Positive Seal of Dust and Fine Powders
- Seals Protected from Abrasion
- Accurate Metering of Material
- Easy Installation and Maintenance



Valve Specifications

Size/Bore Options	100mm to 1000mm Square, Round, or Rectangular
Media	Powder, Pellets, Granulars
Connection Options	Compression Coupling, ANSI, DIN, JIS, Custom Flanges
Media Temperature	Modifications can be made to allow up to 200°C continuous to 230° C intermittent service.
Media Pressure	0 MPa, Gravity Flow Only
Metal Construction Options	304 or 316L Stainless Steel, Aluminum, and/or Carbon Steel
Seal/Seat Material Options	Nylon, PET, UHMW, Glass Filled Teflon, Rubber, and/or Silicon
Drive/Actuation Options	Double Acting Air Cylinder and Solenoid Operated Air Control Valve, or Electric Actuator.
Position Detection	Magnetic Reed Switch, Proximity Switch, or Mechanical Switch
Compliance/Approvals	CE, ATEX, FDA
Industry Use	Plastics, Petrochemicals, Chemicals, Foods, Minerals, Textiles, Agriculture



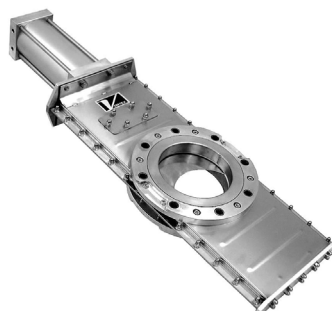
Application Specific Modifications

S	Material / metal contact is 316L stainless steel
MG	Air cylinder has a magnetic ring which activates a magnetic reed position indicating switch
HS	Hardened steel rollers replace standard nylon rollers and bonnet seal protector is installed.
HT3	Modifications are made allowing 120°C continuous to 150°C intermittent service.
HT4	Modifications are made allowing up to 200°C continuous to 230° C intermittent service.
WS1	Gate blade is electro-polished. Polyethylene (PET or UHMW) pressure plate seals are used to replace nylon.
SB	Bonnet is manufactured with solid, gasket covers. (Allows the valve to accept air purge.)
RS	Access ports are provided for removing worn bonnet seals.

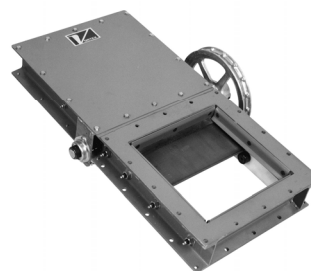
Additional Slide Gates Offered By Vortex



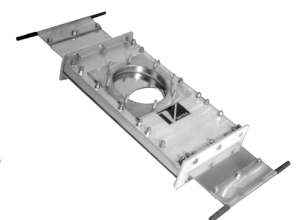
HDP® Slide Gate



Orifice Gate™



Abrasive Duty™ Slide Gate



Hand Slide Orifice Gate™

For more information, please visit our website at www.vortexvalveseurope.com