



# Valves

Handling the world's dry bulk solids®



## VORTEX® QUANTUM™ SERIES 4-WAY WYE LINE DIVERTER™

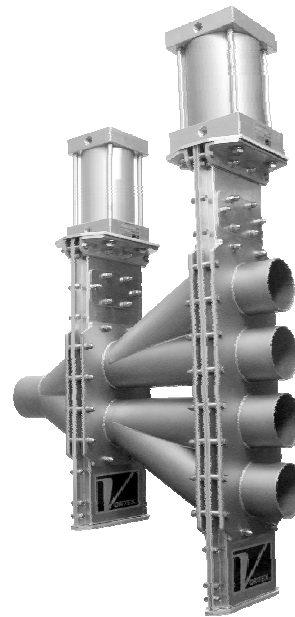
The patent pending Vortex® Quantum Series 4-Way Wye Line Diverter™ is specifically engineered to handle dry bulk solids in vacuum or dilute phase pneumatic conveying systems with pressures up to 15 psig (1 barg). A full flow orifice provides unrestricted conveying of material with no disk or ledges to impede flow. The diverter seat and live-loaded seals are shielded from abrasion by a metal insert, which provides superior shearing action. The Wye Line Diverter™ is designed to eliminate problems, increasing production, while decreasing labour and equipment costs.

### Vortex® Quantum™ Series 4-Way Line Diverter™ Features

- Ability to Shift without Shutting Down Blower
- Improves Conveying Efficiency
- Smooth, Unobstructed Bore for Unrestricted Flow of Material
- Seal Protected from Abrasion
- Easy Installation and Maintenance
- Air Cylinder Model Includes Magnetic Piston

### Valve Specifications

Size/Bore Options	50mm to 150mm Diameters, Pipe or Tube
Media	Powder, Pellets, Granulars
Connection Options	Compression Coupling
Media Temperature	Up to 82°C continuous to 121°C intermittent service, Modifications allow up to 204°C continuous to 232°C intermittent service
Media Pressure	-0.1 MPa +0.1 MPa, 1 barg, 15 psig, depending on size
Metal Construction Options	304 or 316L Stainless Steel, Aluminium, and/or Carbon Steel
Seal/Seat Material Options	Nylon, PET, UHMW, Glass Filled Teflon, Natural Rubber, and/or Silicon Rubber
Drive/Actuation Options	Double Acting Air Cylinder and Solenoid Operated Air Control Valve
Position Confirmation	Magnetic Reed Switch, Proximity Switch, or Mechanical Switch
Compliance/Approvals	CE, ATEX, FDA
Industry Use	Plastics, Petrochemicals, Chemicals, Foods, Minerals, Textiles, Agriculture

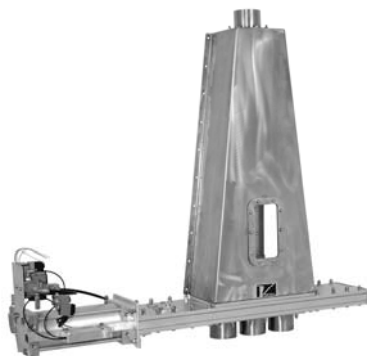


Patent No. 7464913

### Application Specific Modifications

S	Material contact is 316L stainless steel.
HT3	Modifications are made allowing 121°C continuous to 149°C intermittent service.
HT4	Modifications are made allowing 204°C continuous to 232°C intermittent service.
P10	Diverter are made with Schedule 10 Pipe.
P40	Diverter are made with Schedule 40 Pipe.
WS1	Slide blade is electro-polished. Polyethylene Terephthalate (PET) pressure plate seals replace Nylon.

### Additional Diverter Offered By Vortex®



Flex Tube™ Diverter



Seal Tite™ Diverter



Multi-Port Diverter

For more information, please visit our website at [www.vortexvalveseurope.com](http://www.vortexvalveseurope.com)